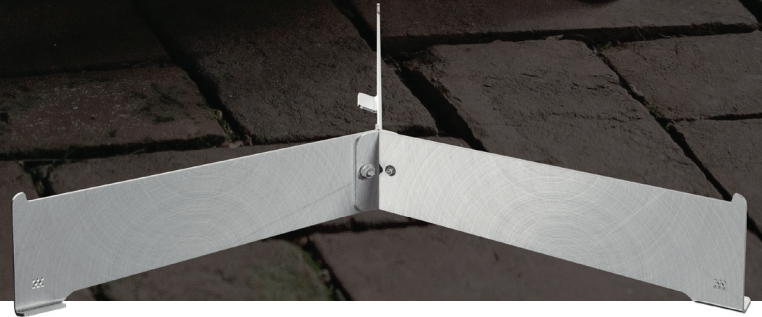




PIZZA OVEN BASE



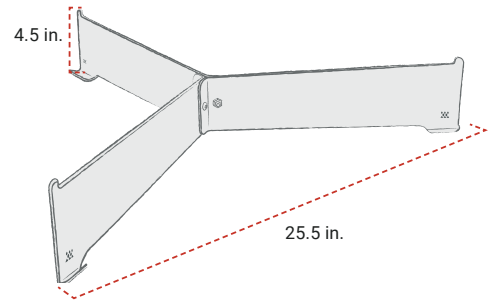
◆ ELEVATES PIZZA OVEN OFF TEMPERATURE SENSITIVE SURFACES

◆ OUTSIDE NOTCHES ENSURES PIZZA OVEN STAYS CENTERED ON THE BASE

◆ OUTDOOR SAFE

◆ NON-MARKING FEET PROTECT SURFACES FROM SCRATCHING

◆ WEATHER RESISTANT



MATERIAL

304 Stainless steel
Made by Breeo® in the USA

DEALER

PRODUCT	SKU
Pizza Oven Base	BR-PI-SSBA

INFORMATION

The Breeo Pizza Oven Base offers a safe solution for pizza oven storage after a night of pizza making. Made out of thick gauge 304 stainless steel and with durable design, this is the perfect solution to securely rest your pizza oven once you're ready to get the fire going.

USE & CARE

Assembly required. Always place the Pizza Oven Base on a clear, flat surface away from the flow of traffic where it may be disturbed. Clean with soap and hot water, bar keepers friend etc.

